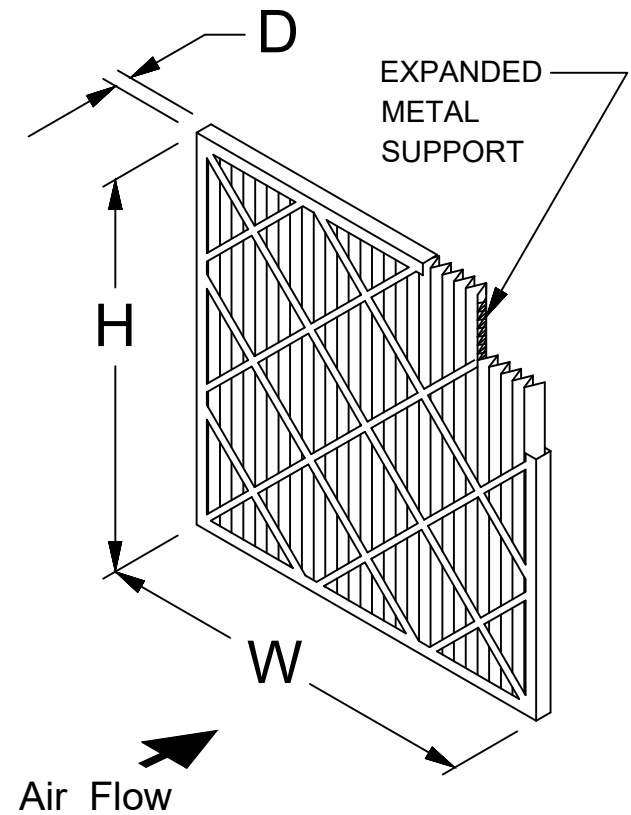


Nominal Size W x H x D (in)	Actual Size W x H x D (in)	Part Number	Capacity (CFM)	Resistance (in W.G.)	Media Area (sq ft)	Carton Qty	Weight per Carton (lbs)
12 x 24 x 2	11-3/8 x 23-3/8 x 1-3/4	102-793-012	1000	0.53	7.8	6	7
16 x 20 x 2	15-1/2 x 19-1/2 x 1-3/4	102-793-016	1125	0.53	8.8	6	7
16 x 25 x 2	15-1/2 x 24-1/2 x 1-3/4	102-793-017	1400	0.53	11	6	9
18 x 24 x 2	17-1/2 x 23-1/2 x 1-3/4	102-793-018	1500	0.53	12.2	6	10
20 x 20 x 2	19-1/2 x 19-1/2 x 1-3/4	102-793-019	1400	0.53	11.1	6	10
20 x 24 x 2	19-1/2 x 23-1/2 x 1-3/4	102-793-020	1675	0.53	13.3	6	11
20 x 25 x 2	19-1/2 x 24-1/2 x 1-3/4	102-793-021	1750	0.53	13.9	6	11
24 x 24 x 2	23-3/8 x 23-3/8 x 1-3/4	102-793-022	2000	0.53	16.1	6	13



Standard Construction:

1. 100% Synthetic Media Upstream and Carbon Media Layer Downstream
2. Carbon Weight: 200 gsm
3. Uses Celbond Particulate Structures (CPS) Technology
4. Moisture Resistant Beverage Board Frame (24 point)
5. Double Wall Frame

Specifications:

1. Efficiency: MERV 13 (ASHRAE Standard 52.2-2017)
2. Final Resistance: 1.5" W.G.
3. Rated Velocity: 500 FPM
4. Maximum Operating Temperature: 150 F (66 C)
5. Tolerance: Height & Width - +/- 1/8"
6. Tolerance: Depth - +/- 1/16"

Notes:

1. All Dimensions are in Inches Unless Otherwise Noted.
2. Drawing Not To Scale

	M13/Odorkleen 200 2" Filters	REV	REVISION	BY / DATE
		LTR		
8401 Air Commerce Drive - Louisville KY 40219 Phone: (502) 634-4796 FAX: (502) 637-2280		Drawn By: Dave Miller	Revision	
		Date: 30 January, 2023		